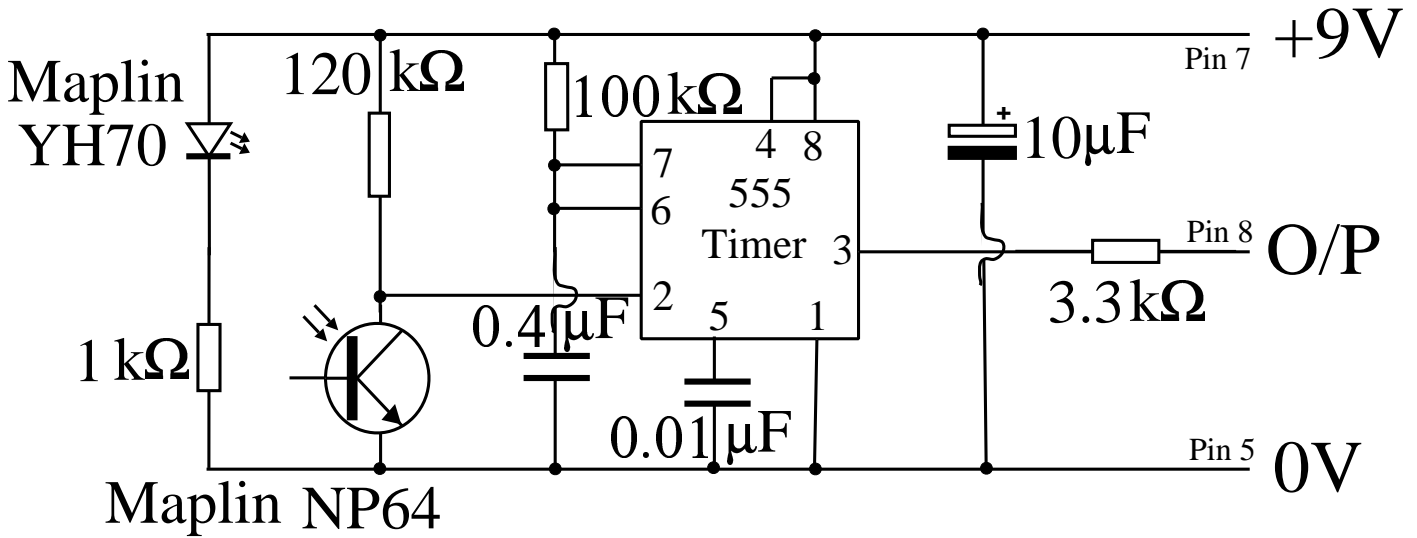


Photohead



The circuit fits neatly inside a 35 mm film canister. The LED & photocell need to be in opaque tubes. (I used the outer cover of a piece of coax cable.

I warmed it and slid it over them).

Maplin Codes

IR LED	YH70	£0.73
IR Phototransistor	NP64	0.73
555 timer	QH66	0.53
Resistor	M100K	0.13
Resistor	M1K0	0.13
Resistor	M120K	0.13
Resistor	M3.3K	0.13
Capacitor 10µF	VH07	0.12
Capacitor 0.47µF	VH02	0.11
Capacitor 0.01µF	WW18	0.11
Small bit of veroboard		0.68

9-way socket	RK61	0.89
Socket cover	FP27	1.09

TOTAL £5.51

The veroboard or stripboard is available from Maplins: (a piece 100 x 74.1 mm from which you can cut four circuit-boards.)

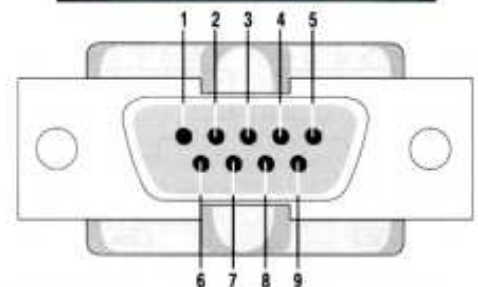
Stripboard 2939	JP47	£2.70
-----------------	------	-------

Pin-out on Socket

Pin 5	0 volts
Pin 7	+9 volts
Pin 8	Signal



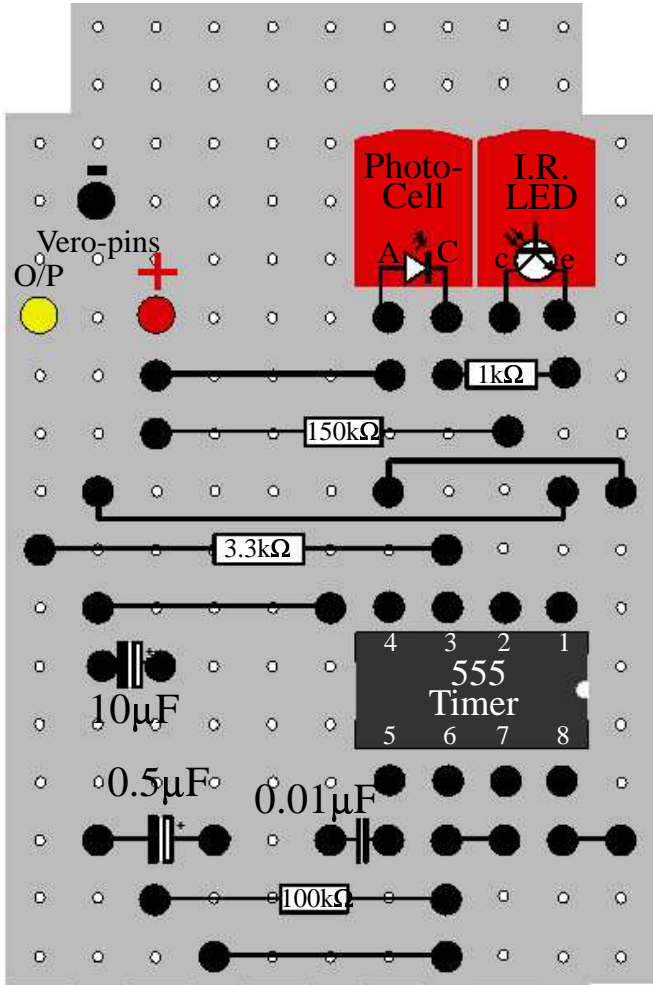
RS-232 Serial Port



Pin	Signal	Pin	Signal
1	Data carrier detect	6	Data set ready
2	Received data	7	Request to send
3	Transmitted data	8	Clear to send
4	Data terminal read	9	Ring indicator
5	Signal ground		

Veroboard

Component side



Solder side

